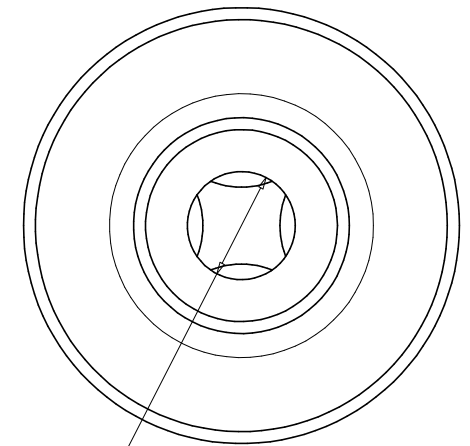
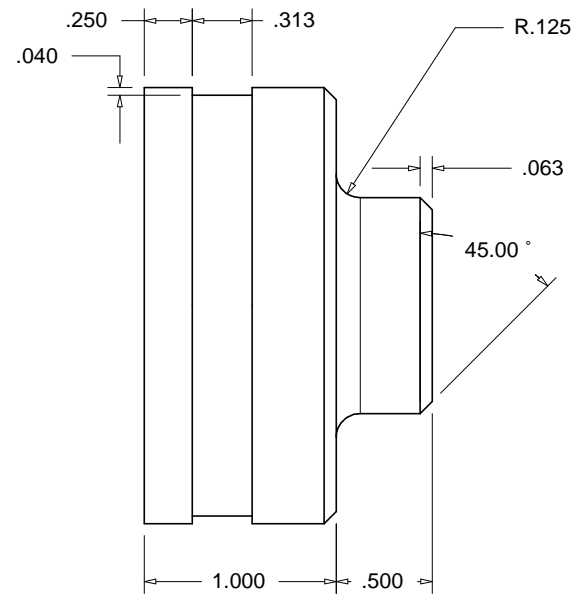
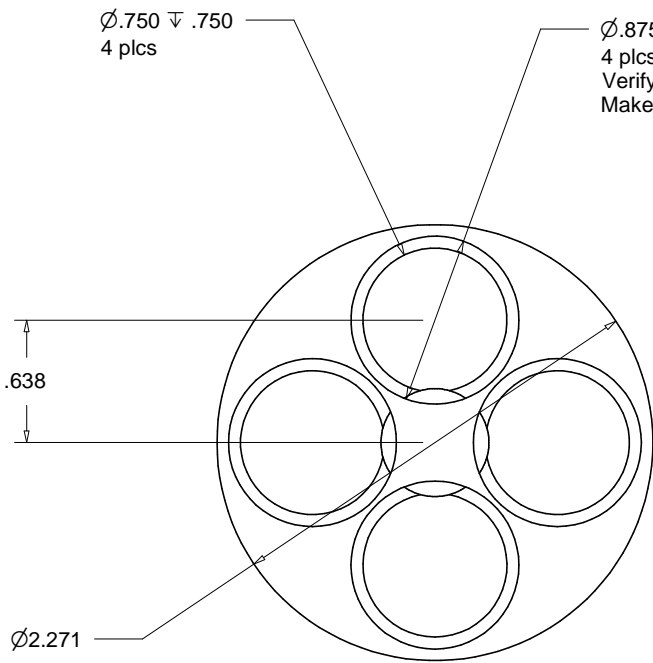
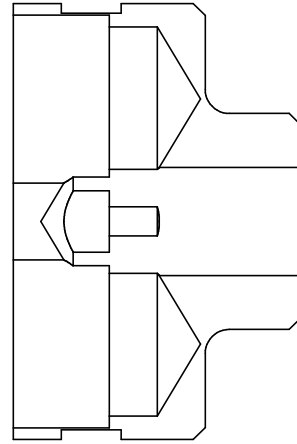
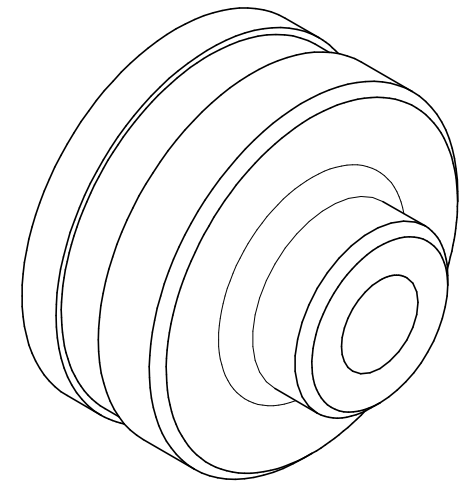
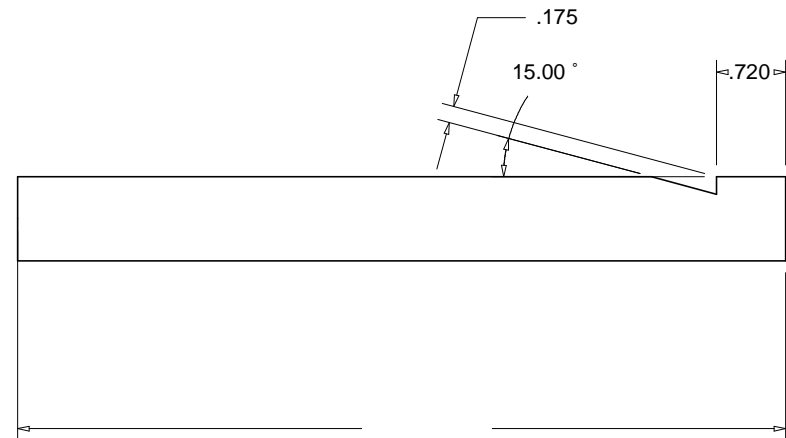
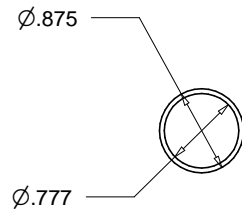
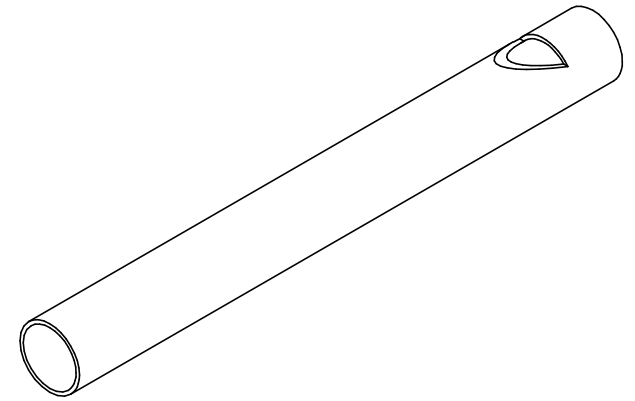


Insert end cap with locktite or epoxy

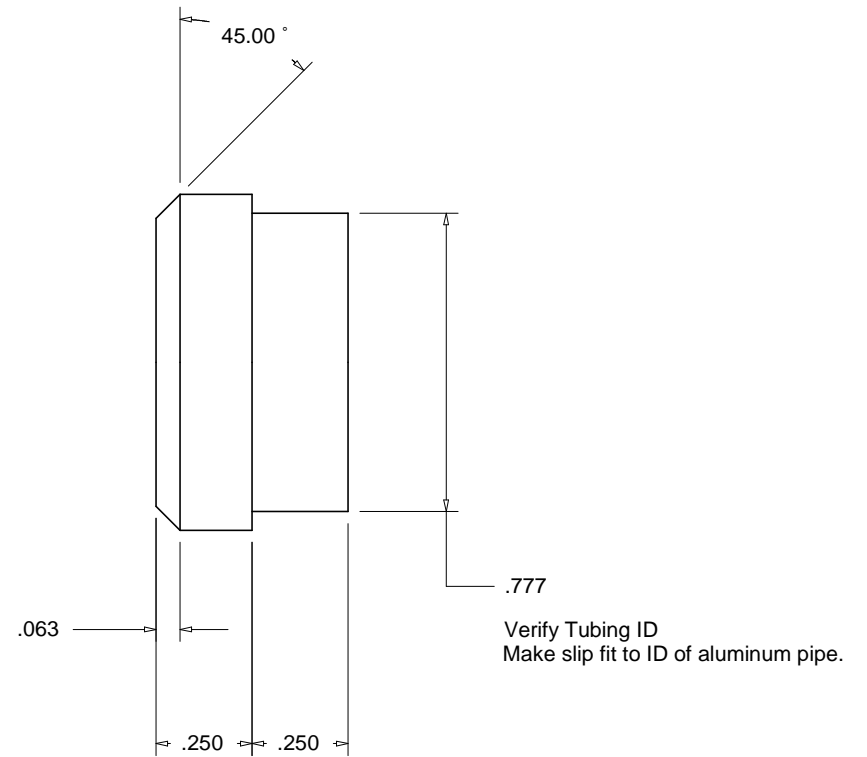
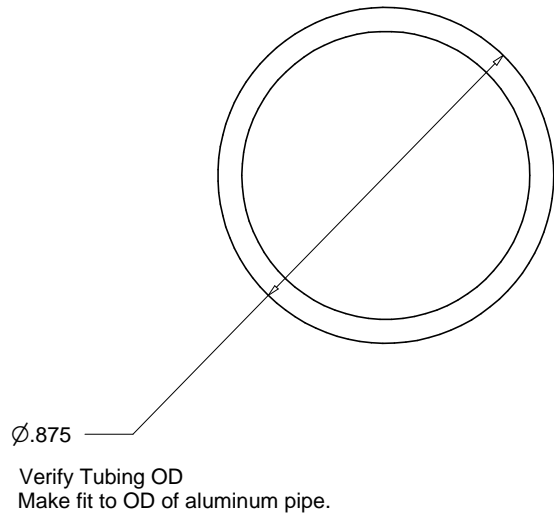
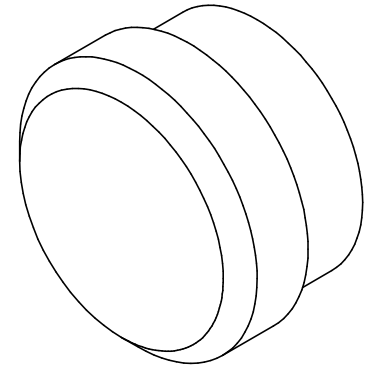


Size based on McMaster Carr P/N 89965K94



- 4 Required
- 1 - 5"
- 1 - 6"
- 1 - 7"
- 1 - 8"

End Plug  
4 Reqd.



Base end plug  
4 reqd.

